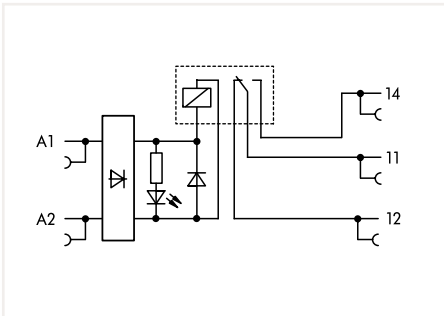


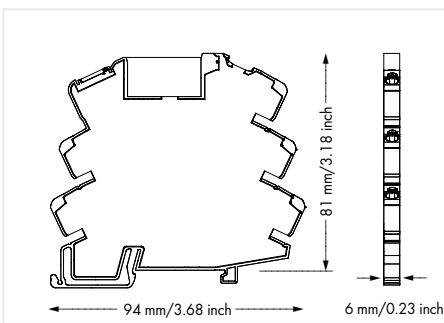
Relay Module 857 Series

1

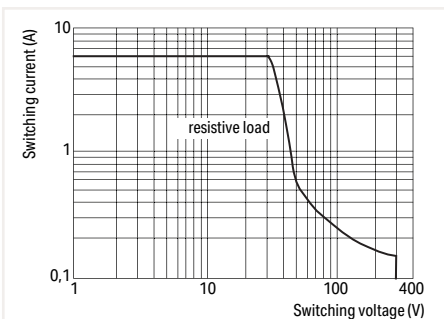


Relay Module; 1 changeover contact; Limiting continuous current: 6 A; Status indicator: yellow; 6 mm wide

U_N	Item No.	Pack. Unit
24 ... 230 VAC/DC	857-359	25



Note:
To protect the relay coils and contacts, inductive loads must be dampened with an effective protection circuit.



DC Load Limit Curve

Control Circuit

Input voltage range	-30 ... +10 %
Input current	3.5 mA (230 VAC); 20 mA (24 VDC)

Load Circuit

Number of changeover/switchover contacts	1
Contact material	AgSnO ₂
Limiting continuous current	6 A
Inrush current (resistive) max.	20 A (AC) / 20 ms
Switching voltage (max.)	250 VAC
Switching power (resistive) max.	1500 VA (AC); DC see load limit curve
Switching capacity	AC 15: 3 A / 250 VAC; DC 13: 2 A / 24 VDC
Recommended minimum load	10 V / 10 mA; 24 V / 1 mA
Pull-in time (typ.)	15 ms
Drop-out time (typ.)	25 ms
Bounce time (typ.)	3.5 ms
Electrical life (NO; resistive load; 23 °C)	50 x 10 ³ switching operations
Mechanical life	5 x 10 ⁶ switching operations
Switching frequency with/without load (max.)	6 min ⁻¹ / 60 min ⁻¹

Signaling

Status indicator	Yellow LED
------------------	------------

Safety and Protection

Rated voltage	250 VDC
Rated surge voltage	4 kV
Pollution degree	2
Dielectric strength, control/load circuit (AC, 1 min)	4 kV _{rms}
Dielectric strength, open contact (AC, 1 min)	1 kV _{rms}
Protection type	IP20

Connection Data

Connection technology	Push-in CAGE CLAMP®
Solid conductor	0.34 ... 2.5 mm ² / 22 ... 14 AWG
Fine-stranded conductor	0.34 ... 2.5 mm ² / 22 ... 14 AWG
Strip length	9 ... 10 mm / 0.35 ... 0.39 inch

Physical Data

Width	6 mm / 0.236 inch
Height from upper-edge of DIN-rail	81 mm / 3.189 inch
Depth	94 mm / 3.701 inch

Mechanical Data

Mounting type	DIN-35 rail
---------------	-------------

Material Data

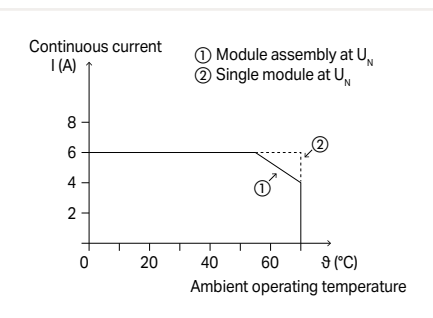
Weight	30.9 g
--------	--------

Environmental Requirements

Surrounding air temperature (operation at U_N)	-40 ... +70 °C
Surrounding air temperature (storage)	-40 ... +70 °C
Processing temperature	-25 ... +50 °C

Standards and Specifications

Standards/specifications	EN 50121-3-2; EN 50121-4; EN 61000-6-2; EN 61000-6-3; EN 61010-2-201; EN 61810-1; EN 61373; UL 508
--------------------------	--



Current-Carrying Capacity Curve